

## Stainless steel bellows expansion joint, Article 371-VA

**Diameter DN 15 (1/2") up to DN 250 (10")**

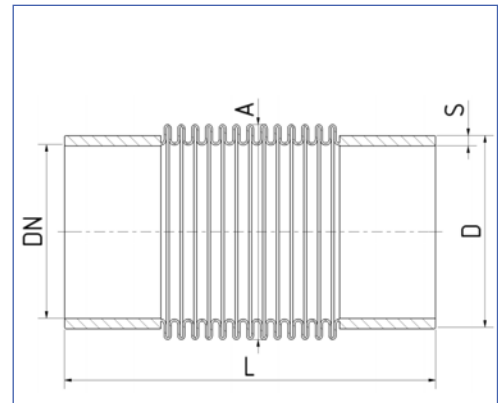
Stainless steel bellows expansion joint with stainless steel welding ends on both sides, tube dimensions in accordance to DIN EN 10216-5 (seamless) or 10217-7 (welded). Multi-corrugated bellows design for lateral, axial and angular movement absorption.

Completely made of stainless steel 1.4571 (316Ti) for gaseous and liquid media, as well as for weak to moderately aggressive acids and alkalis.

Design pressure up to a maximum of 16 bar, in any case inadmissible expansion forces are to be absorbed by suitable fixed points (only place one compensator between the fixed points). These are to be selected so that the expansion of this distance is smaller than the possible expansion absorption of bellows.



	Ambient	-25°C ... +250°C
	Medium	-25°C ... +400°C



### Article 371-VA

Description	Materials
bellow	stainless steel A312 316Ti (1.4571)
welding ends	stainless steel A312 316Ti (1.4571)

**Stainless steel bellows expansion joint, article 371-VA**

Diameter	welding ends stainless steel article-no.	welding tube				movement absorption			vibration all sides (mm)	effective cross section (cm <sup>2</sup> )
		L (mm)	A (mm)	D (mm)	S (mm)	expansion compression axial (mm)	moving lateral (mm)	deflection angular		
DN 15 (1/2")	23.6020.6.11	175	36	21,3	2,0	+/- 10,0	+/- 5,5	+/- 30°	0,5	7,0
DN 20 (3/4")	23.6020.6.13	175	36	26,9	2,3	+/- 10,0	+/- 5,5	+/- 30°	0,5	7,0
DN 25 (1")	23.6020.6.15	185	42	33,7	2,6	+/- 12,5	+/- 6,5	+/- 25°	0,7	10,0
DN 32 (1 1/4")	23.6020.6.18	185	50	42,4	2,6	+/- 12,5	+/- 6,5	+/- 28°	1,1	14,5
DN 40 (1 1/2")	23.6020.6.19	190	60	48,3	2,6	+/- 12,5	+/- 6,0	+/- 23°	1,1	22,0
DN 50 (2")	23.6020.6.21	205	75	60,3	2,9	+/- 15,0	+/- 7,0	+/- 22°	1,0	34,0
DN 65 (2 1/2")	23.6020.6.24	230	90	76,1	2,9	+/- 20,0	+/- 8,5	+/- 25°	1,0	50,0
DN 80 (3")	23.6020.6.25	230	110	88,9	3,2	+/- 22,5	+/- 8,5	+/- 23°	0,9	74,5
DN 100 (4")	23.6020.6.27	230	133	114,3	3,6	+/- 22,5	+/- 7,0	+/- 19°	0,9	111,0
DN 125 (5")	23.6020.6.28	270	157	139,7	4,0	+/- 22,5	+/- 6,5	+/- 16°	0,7	159,0
DN 150 (6")	23.6020.6.29	270	190	168,3	4,5	+/- 32,5	+/- 8,0	+/- 15°	0,7	236,0
DN 200 (8")	23.6020.6.31	300	250	219,1	6,3	+/- 32,5	+/- 8,0	+/- 14°	0,7	419,0
DN 250 (10")	23.6020.6.33	300	300	273,0	6,3	+/- 32,5	+/- 6,5	+/- 12°	0,7	615,0

371-VA 2021\_ENG, Rev. 0