

2-way ball valve, Article 430-MS with electrical actuator

Diameter G 1/2" up to G 2"

on request also
up to diameter G 4"

2-way ball valve with threads and standardized interface according to ISO 5211 for mounting of pneumatic or electrical actuators. Pressure class up to PN 25, full bore, both sides 100% tight closing. Double shaft seal by two O-rings and self-lubricating PTFE thrust ring, PTFE ball seals spring-loaded by FKM O-rings. This combination guarantees permanently low torques and softly actuation.

Suitable for gaseous and liquid media (no steam) considering material resistance brass.

- both sides female threads acc. to ISO 228-1, UNI 7/1, EN 10226

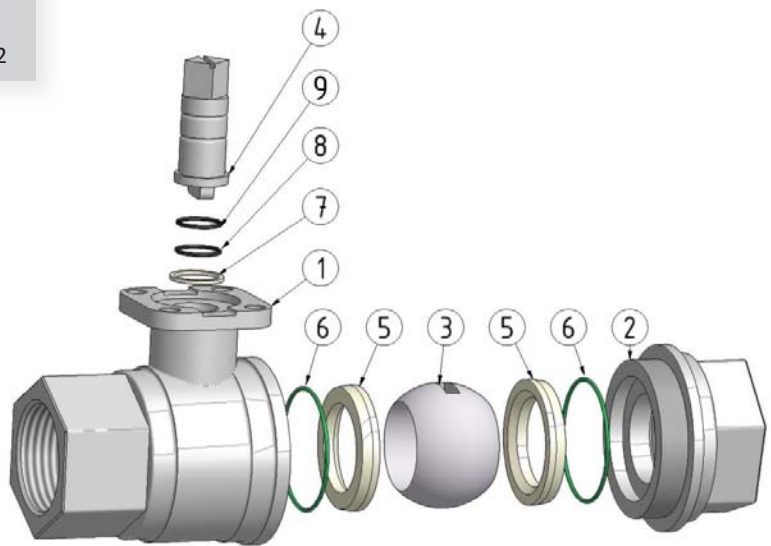
Unit (ball valve / actuator) is mounted ready for connection including functional test.



- Design Standard DIN EN 12516-1
- Housing strength DIN EN 12516-2
- Design pressure PN 25
- Marking EN 19, MSS SP-25
- Inspection / test DIN EN 12266 P10 / P11 / P12

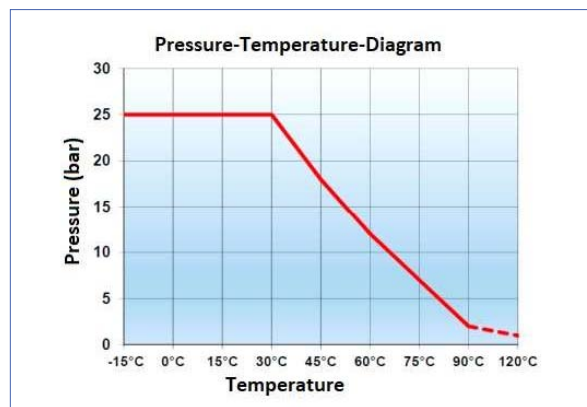
	ATEX CE II 2 G/D on request
	Ambient -10° C ... +60° C
	Medium -15° C ... +90° C short-term up to +120° C

Pos.	Description	Material
1	Body	Brass CW 617N
2	Threaded ends	Brass CW 617N
3	Ball	Brass CW 617N
4	Stem	Brass CW 617N
5	Ball sealing	PTFE profile shells
6	Seat spring loaded	2 x O-Ring VITON
7	Thrust ring	PTFE
8	Stem seal	FKM (VITON)
9	Stem seal	HNBR



Operating-variant:

pneumatic actuator



2-way ball valve, Article 430-MS with electrical actuator Diameter G 1/2" up to G 2"

Ball valve and electric actuator, each with standardized interface according to ISO 5211, enable direct, backlash-free assembly. Modern design and compact construction characterize this series of electric part-turn actuators.

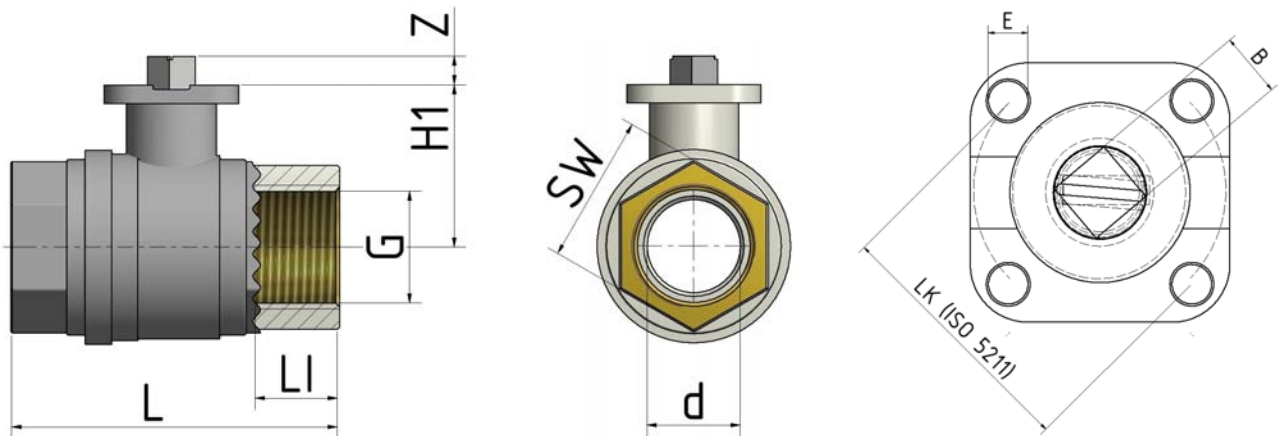
The simple but robust and reliable design guarantees high availability in daily industrial use. The actuators are maintenance-free and completely prewired internally.

The self-locking gear with high-performance grease filling guarantees a long service life. The unit is delivered ready for connection, adjusted and tested.

Depending on the process requirements, there are two versions to choose from:

- a) OPEN / CLOSED operation class A according to EN 15714-2
- b) Jog mode or positioning operation, class B (S4 - 30%, motor power up to 120 starts per hour at peak load) according to EN 15714-2.

Further information on the electric drives can be found in the individual data sheets.

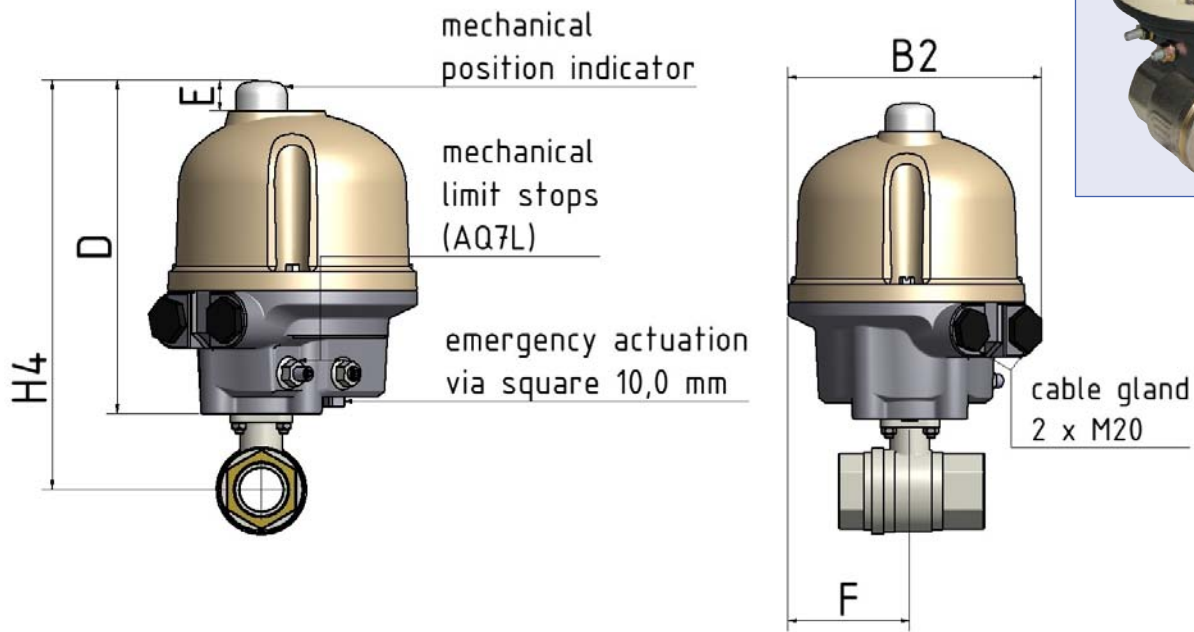


Diameter	L (mm)	LI (mm)	H1 (mm)	Z (mm)	SW (mm)	d (mm)	B (mm)	E (mm)	LK ISO 5211	Starting torque			Weight (kg)
										6,0 bar	10,0 bar	25,0 bar	
G 1/2"	61,0	16,0	32,0	9,0	25,0	15,0	9,0	6,0	F03	3,5 Nm	3,9 Nm	4,3 Nm	0,326
G 3/4"	70,0	16,5	36,0	9,0	31,0	20,0	9,0	6,0	F03	4,1 Nm	4,7 Nm	5,0 Nm	0,546
G 1"	84,0	20,0	44,0	9,0	38,0	25,0	9,0	6,0	F03	4,7 Nm	5,1 Nm	5,5 Nm	0,911
G 1 1/4"	97,0	25,0	49,0	9,0	47,0	32,0	9,0	6,0	F03	5,5 Nm	6,6 Nm	7,5 Nm	1,28
G 1 1/2"	108,0	27,5	54,0	9,0	54,0	40,0	9,0	6,0 / 7,0	F03 / F05	7,8 Nm	8,5 Nm	9,5 Nm	1,876
G 2"	130,0	30,5	62,0	9,0	66,0	50,0	9,0	6,0 / 7,0	F03 / F05	11,0 Nm	12,8 Nm	14,5 Nm	3,025

Diameter	1/2"	3/4"	1"	1 1/4"	1 1/2"	2"
Ø	15,0	20,0	25,0	32,0	40,0	50,0
KV-Value	15,0	28,0	39,0	84,0	156,0	243,0

KV value = corresponds to the water flow rate in (m³/h) at a pressure difference of about one bar

2-way ball valve, Article 430-MS with electrical actuator Diameter G 1/2" up to G 2"



electrical actuator (design up to 20.0 bar)								
Diameter	Article No. 430-MS	Voltage	H4 (mm)	D (mm)	E (mm)	B2 (mm)	F (mm)	Weight (kg)
G 1/2"	280.3974.0.63							
AQ1L	171.8093.1L.13	230 V AC	207	175	17,5	150	89,5	2,83
	171.8092.1L.13	24 V DC						
G 3/4"	280.3974.0.65							
AQ1L	171.8093.1L.13	230 V AC	211	175	17,5	150	89,5	3,05
	171.8092.1L.13	24 V DC						
G 1"	280.3974.0.67							
AQ1L	171.8093.1L.13	230 V AC	219	175	17,5	150	89,5	3,41
	171.8092.1L.13	24 V DC						
G 1 1/4"	280.3974.0.68							
AQ1L	171.8093.1L.13	230 V AC	224	175	17,5	150	89,5	3,78
	171.8092.1L.13	24 V DC						
G 1 1/2"	280.3974.0.69							
AQ3L	171.8093.3L.13	230 V AC	229	175	17,5	150	89,5	4,69
	171.8092.3L.13	24 V DC						
G 2"	280.3974.0.71							
AQ3L	171.8093.3L.13	230 V AC	237	175	17,5	150	89,5	5,53
	171.8092.3L.13	24 V DC						

ENG_430-MS_AQL_2021, Rev. 01